

**ACRYLUX 60" x 30" w/INTEGRAL APRON  
ABOVE-FLOOR-ROUGH**

- 6030Y2A.102 AFR Bathing Pool, Right Drain
- 6030Y2A.202 AFR Bathing Pool, Left Drain

**Product Features:**

- Above-floor-rough installation
- High-gloss acrylic-capped ABS with fiberglass reinforcement
- Integral apron
- Integral three-sided, tiling/water retention flange
- Integral lumbar support
- Pre-leveled tub bottom

- 6030Y2A.118 AFR Whirlpool, Right Drain
- 6030Y2A.218 AFR Whirlpool, Left Drain

**Whirlpool Features:**

- 1.25 hp, single-speed pump motor
- 6 whirlpool jets
  - 4 adjustable jets
  - 2 mini-jets in the lumbar area
- Deck mounted air on/off switch
- Removable access panel

**Nominal Dimensions:**

59-7/8" x 30" x 18"  
(1521 x 762 x 457mm)

**For use with:**

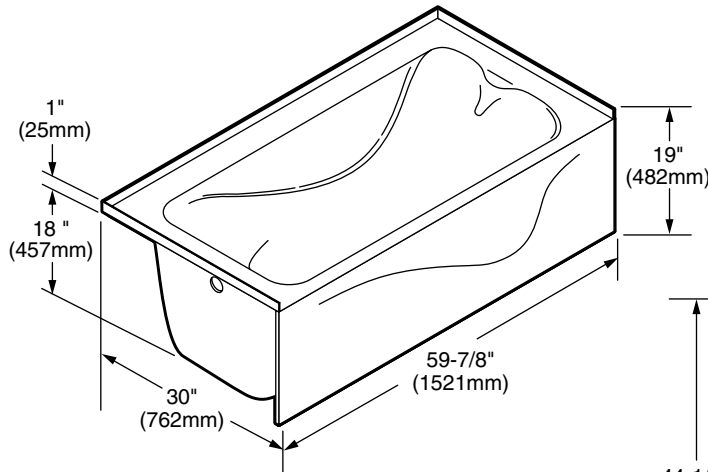
- 6030Y1.BW Bath Wall Set
- 6030Y1.BWT Bath Tile Wall Set
- Tub can also be installed without Acrylux wall set

**Compliance Certifications -**

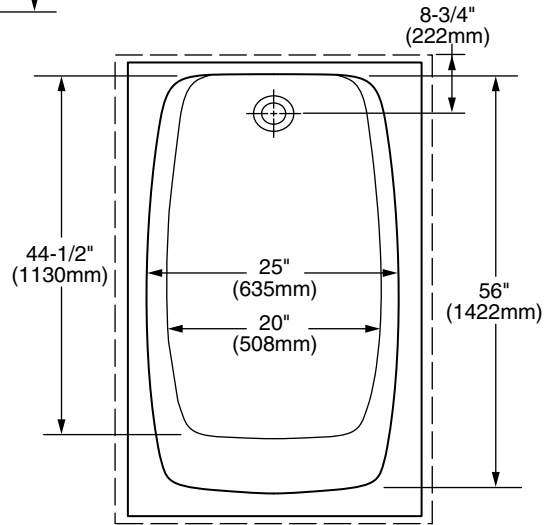
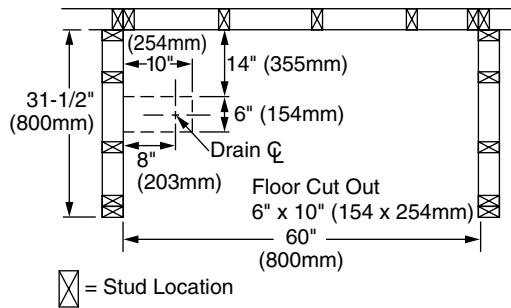
**Meets or Exceeds the Following Specifications:**

- UL 1795 for Hydromassage Bathtubs
- ASME A112.19.7M for Whirlpool Appliances
- ANSI Z124.1 for Plastic Bathtubs
- ASTM E162 for Flammability
- NFPA 258 for Smoke Density





**STUD LAYOUT**



GENERAL SPECIFICATIONS FOR 6030Y2A WHIRLPOOL	
INSTALLED SIZE	60 x 30 x 18 In. (1524 x 762 x 457mm)
WEIGHT	75 Lbs. (34 Kg.)
WEIGHT w/WATER	458 Lbs. (208 Kg.)
GAL. TO OVERFLOW	46 Gal. (174 L)
WHIRLPOOL MIN. OPERATING VOL.	40 Gal. (151 L)
BATHING WELL AT SUMP	44.5 In. L (1130mm L)
BATHING WELL AT RIM	56 In. L (1422mm L)
WATER DEPTH TO OVERFLOW	11 in (279mm L)
FLOOR LOADING (PROJECTED AREA)	37 Lbs./Sq.Ft. (179 Kgs./Sq.m)
PTS.	7.3
CUBE (FT <sup>3</sup> )	18.91ft <sup>3</sup>
WHIRLPOOL ELECTRICAL SPECIFICATIONS	
WHIRLPOOL PUMP	1.25 HP, 9.7 AMPS, 120V.

GENERAL SPECIFICATIONS FOR 6030Y2A BATHING POOL	
INSTALLED SIZE	60 x 30 x 18 In. (1524 x 762 x 457mm)
WEIGHT	53 Lbs. (24 Kg.)
WEIGHT w/WATER	428 Lbs. (194 Kg.)
GAL. TO OVERFLOW	45 Gal. (170 L)
BATHING WELL AT SUMP	44.5 In. L (1130mm L)
BATHING WELL AT RIM	56 In. L (1422mm L)
WATER DEPTH TO OVERFLOW	11 in (279mm L)
FLOOR LOADING (PROJECTED AREA)	34 Lbs./Sq.Ft. (167 Kgs./Sq.m)
PTS.	7.3
CUBE (FT <sup>3</sup> )	18.91ft <sup>3</sup>

**NOTES:**

BATH CAN BE INSTALLED EITHER ABOVE OR BELOW FLOOR LINE AS PIER, ISLAND OR PENINSULA TYPE INSTALLATION. SUMP OF BATH IS SUPPORTED BY INTEGRAL FEET. NO ADDITIONAL SUPPORT REQUIRED. ENCLOSING MATERIALS BY OTHERS.

■ REFER TO INSTALLATION INSTRUCTIONS SUPPLIED WITH WHIRLPOOL FOR ADDITIONAL INFORMATION.

● FITTINGS NOT INCLUDED AND MUST BE ORDERED SEPARATELY.

PROVIDE SUITABLE REINFORCEMENT FOR ALL SUPPORTS.

● IF INSTALLING A DECK-MOUNTED FITTING, BEFORE DRILLING ANY HOLES: CHECK FOR INTERFERENCE WITH CIRCULATING SYSTEM PIPING AND DRAIN OVERFLOW. MOUNTING HOLES DRILLED BY INSTALLER.

**IMPORTANT:** Dimensions of fixtures are nominal and may vary within the range of tolerances established by ANSI Standard Z124.1. These measurements are subject to change or cancellation. No responsibility is assumed for use of superseded or voided leaflet.